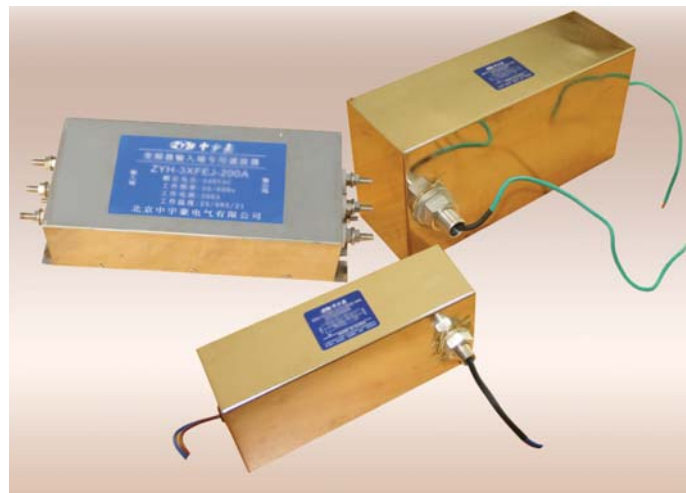


信号/数据/控制 滤波器  
SIGNAL/DATA/CONTROL LINE FILTERS

标准: MIL-F-15733  
Standard: MIL-STD-220A

滤波是TEMPEST技术中的一项十分重要的内容。滤波器能非常有效地减少和抑制电磁泄漏。它主要包括在信号传输线、公共地线及电源线上加滤波器。

Filtering is a extremely important content in TEMPEST technology. Filters can be very effective in reducing and inhibitting the leakage of electromagnetic. It mainly includes adding Filters on signal transmission lines, public grounding and power Line.



型号 Type ZYH-	阻抗Ω impedance L-L/L-G	通带 Pass Hz	插损 阻带 Insertion loss Stop Hz	电流 Curren A	电压 Voltage VDC.	用途 Application
ZP1-0.2	-	-	100dB,14k	0.2	250	门禁 access control
ZP2-1	300/600	50K	80dB,150k 100dB,200k	1	250	门禁, 消防, access control, fire prevention, 对讲, 广播, RS232 to says, broadcasting, RS232
ZP3-0.2	75/150	300K	100dB,1M	0.2	250	消防, 电话, 传真, RS422, 门禁 fire prevention, telephone, fax, RS422, access control
ZP4-0.2	/75	6.5M	100dB,30M	0.2	100	视频 video
ZP5-1	-	-	80dB,14k 100dB,20M	1	250	通用 general
ZP6-3	-	-	80dB,14k 100dB,20M	3	250	通用 general

下列滤波器内置电流补偿阻流圈, 使用时请确认进线和回线成对流过同一只滤波器。

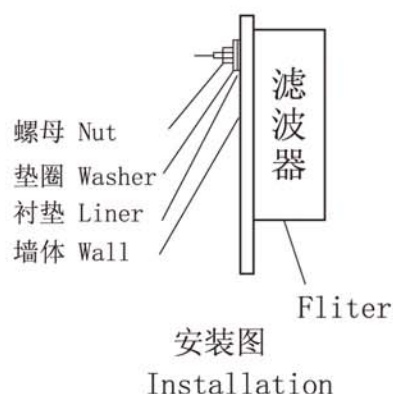
The below list filters are mounted with current-compensated chokes, Make sure that the forward and return line is routed paired through one filter .

型号 Type ZYH-	阻抗Ω impedance L-L/L-G	通带 Pass Hz	插损 阻带 Insertion loss Stop Hz	电流 Curren A	电压 Voltage V CD.	用途 Application
ZP1-1	50/100	160K	100dB,100k	1	250	消防, 电话, 传真, 对讲, 广播, RS232/RS422等 fire prevention, telephone, fax, to says, broadcasting, such as RS232/RS422
ZP2-0.2	50/100	960K	100dB,300k	0.2	100	加密通讯, ISDI, 消防 encrypted communications, SDN, fire prevention
ZP3-0.2	50/100	100M	100dB,500K	0.2	100	网线, 键盘, 鼠标 network wire, keyboard, mouse
ZP4-3	-	-	100dB,100K	3	250	直流马达驱动, 控制线, 应急灯 DC motor drive, control line, emergency lights
ZP1-0.2	300/600	3.4K	100dB,10K	0.2	250	抗噪音电话, 传真 anti-noise telephone, fax
ZP2-1	-	-	100dB,10K	1	250	通用 general

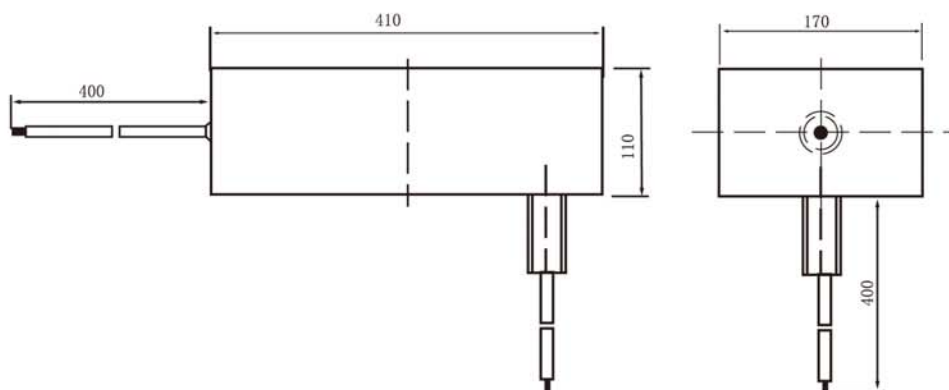
说明：标定额定电流的环境温度为40℃， $I_{op} = I_N \sqrt{(85 - \theta) / 45}$   
漏电流的测试状态为220V 50Hz

Note: Environmental temperature of calibration rated current is 40℃,  $I_{op} = I_N \sqrt{(85 - \theta) / 45}$   
state testing of leakage current is 220v 50Hz

$I_{op}$ —工作电流      Operating Current  
 $I_N$ —额定电流      Rated Current  
 $\theta$ —环境温度      Environmental Temperature



### 外形尺寸图：Outline Drawing&Dimensions (mm)



### ZA类屏蔽设施零、地线滤波器 ZA-Class shielding facilities zero, earth filter

1. 低线电压降，压降<1.5V  
Low line voltage drop, pressure drop <1.5V
2. 用于零、地线 For zero, earth
3. 零地电压低 Zero to low voltage

ZA类零、地线滤波器技术参数 ZA-Class zero, earth filter parameters

额定电压 Rated voltage  
额定频率 Rated frequency

400Hz零、地线滤波器：额定电压为120VAC，型号中在用途位加Z做标识，如C56PDZ-5-W2  
400Hz zero、earth filter : Rated voltage of 120VAC, the models add Z in use spaces for the logo, as C56PDZ-5 - W2

400GHz零、地线滤波器：高频端插损延伸到40GHz，型号中在用途位加S作标识，如C56PDS-5-W2  
400GHz zero、earth filters : High-frequency insertion loss extended to 40GHz, the models add S in use spaces for the logo, as C56PDS-5 - W2